



**Alupod is an innovative
& adaptable hygienic dust
control unit**

www.alupod.ie

Kantoher Business Park. Raheenagh, Co. Limerick, Ireland
Tel: 069 85999 Fax: 069 85977 | Email: info@alupod.ie
www.alupod.ie



**Alupod is an innovative
& adaptable hygienic
dust control unit**

www.alupod.ie



The ultimate portable containment unit

The **Alupod** is an innovative and adaptable dust control unit, manufactured by Tara Cladding Ltd. in conjunction with one of Ireland's leading private hospitals The Galway Clinic.

The Galway Clinic has been using a variety of containment solutions for some years to prevent the spread of dust and contaminants during construction, renovations and other practices which require working above ceiling tiles.

“ We had not come across a suitable practical portable solution for our needs in respect of size and manoeuvrability. The Galway Clinic approached Gerry Bourke to come up with a design which is the Alupod. We have two units in the Clinic which are easy to erect, move and relocate. We would highly recommend the Alupod for the applications mentioned.

The Galway Clinic



The unit's purpose is to comply with dust and infection control legislation and reduce the risks associated with the spread of dust in sterile areas such as hospitals, laboratories, clean rooms and nursing homes. Where maintenance is required, the **Alupod** allows this work to be carried out with little or no disruption whilst providing a safe environment for those who need it most.

- The Alupod is a **lightweight** and **adaptable** unit, which is easily assembled.
- This **innovative** unit is more effective and easier to use than typical plastic sheeting and pole type solutions.
- **Greater efficiency** and lower long-term material costs also make it a more economical choice.
- The base unit measuring 1760mm accommodates a 6ft ladder and can be extended to 2100mm to facilitate an 8ft ladder; this eliminates the need to multi-purchase.
- This **maintenance free** unit is easy to clean with standard disinfectants. Due to its lightweight aluminium frame, the AluPod is easy to store and transport. It is a superior containment solution.
- The unit facilitates a HEPA filtered Negative Air Machine, which provides 99.97% **efficient air quality protection**.
- The AluPod is particularly useful for working with **overhead ceiling tiles** and overhead wires where two AluPod units can be put to use at the same time. The Alupod adjusts to ceiling height up to 2900mm high. Made to measure units are available upon request.



Adjusts to ceiling heights



Fits through lifts & doors



Compact and easily assembled





ALUPOD-1 TECHNICAL CANVAS SPEC

ALUPOD SERIES

Base Fabric W/F		PES 550 dtex
Coating		PU
Weave		L 1/1
Threads W/F per cm	DIN 53853	17/13
Basecloth Weight (g/m ²)	DIN EN 29073 (NO.1)	240 +/- 15 g/m ²
Tensile Strength (N/5CM)	ISO 5081	1800/1200 N/5 cm
Tear Resistance (N)	ISO 4674-1977 Method A2	90/80 N
Special Treatment		HIGH UV FLURO CARBON
Flame Retardancy	BS 5438/ISO 6941/DIN 4102	BS 7837 - PASS O/pass B1
Light Fastness		7
Hydrostatic Head		>75
Application		Alupod, Tents, Architecture, Structure/Airco Ducting

TECHNICAL DATA SHOWN ABOVE ARE AVERAGE VALUES FROM THE CURRENT PRODUCTION





ALUPOD-1

ALUPOD SERIES

Alupod is a targeted single application solution for containing ceiling and ceiling cavity penetrating activities during construction or maintenance.

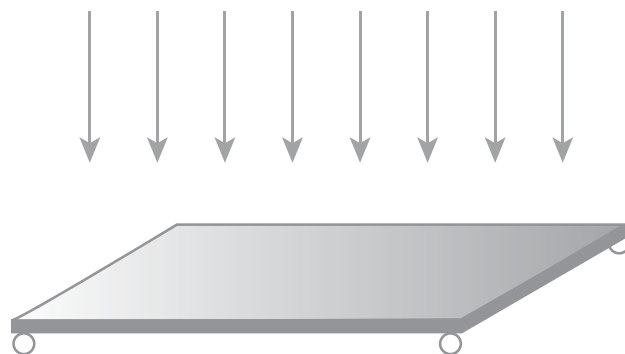
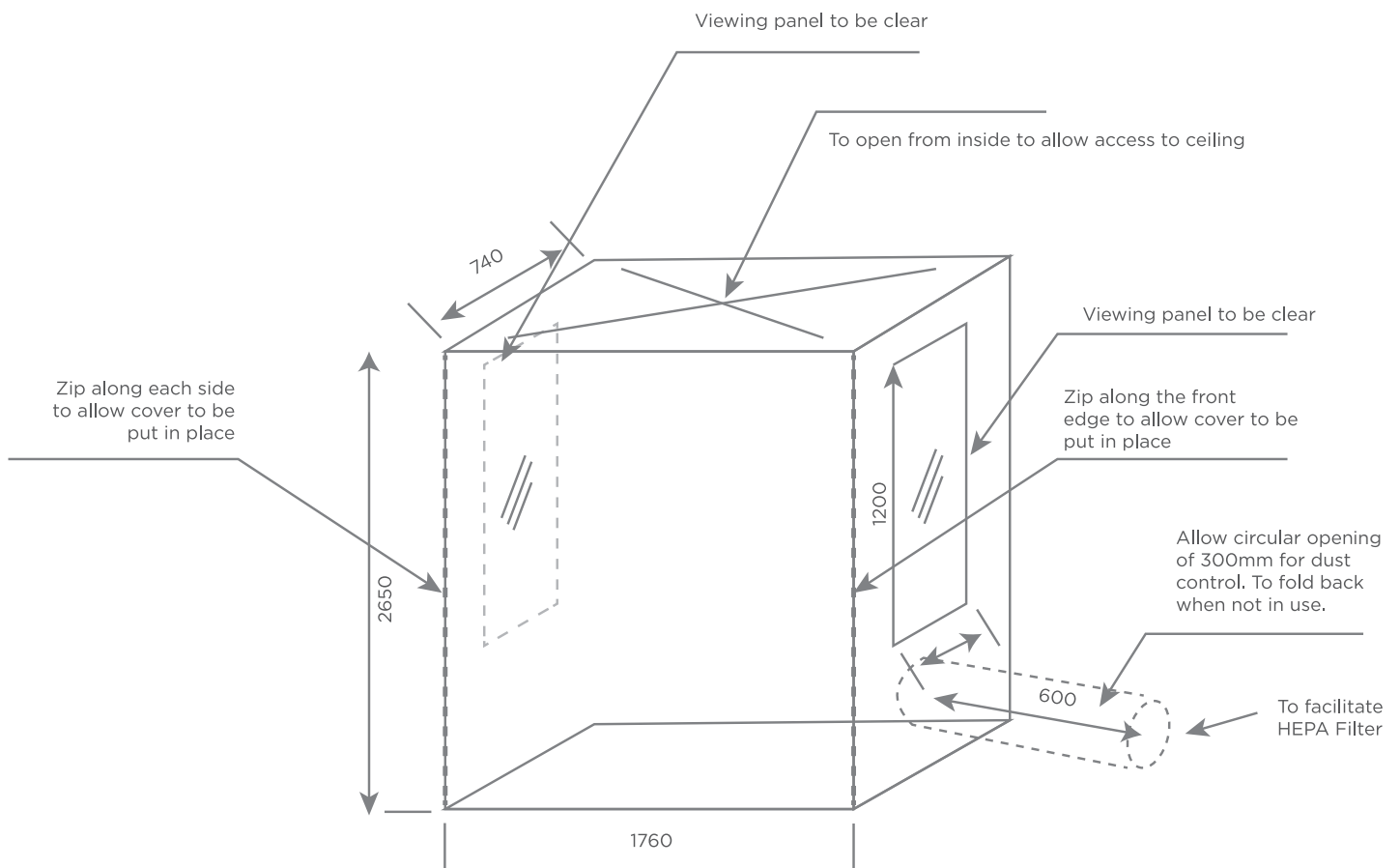
Easily assembled the Alupod is more effective and easier to use than plastic sheeting and pole type solutions. Greater efficiency and lower long run material costs also make it a more economical choice. This maintenance free unit is easy to clean with standard disinfectants. Due to its lightweight aluminium frame, the Alupod is easy to store and transport. It is a superior containment solution.

Type	Combined Ceiling/Wall Cavity
Number of Doors	2
Door Width (mm)	1000mm
Window Panel Type	Clear Plastic
Number of Windows	2
Window Height (mm)	800mm
Window Width (mm)	300mm
Negative Air Port (mm)	300mm
Height (mm)	1800mm extends to 2900mm
Width (mm)	740mm
Base Expandable	1760-2100mm
Powder Coated	Anti MRSA/Anti-Bacterial paint
Floor Type	Checker Plate
Frame Material	Aluminium
Wheels Material	Polyurethane/Lock in position
Envelope Material	Lightweight, Fire Resistant Poly Fabric

TECHNICAL DATA SHOWN ABOVE ARE AVERAGE VALUES FROM THE CURRENT PRODUCTION



ALUPOD-1 DIAGRAM OF PARTS ALUPOD SERIES





ALUPOD-1 ADDITIONAL INFORMATION ALUPOD SERIES

The purpose of the Alupod is to comply with dust and infection control legislation and reduce the risks associated with the spread of dust in sterile areas such as hospitals, laboratories, clean rooms and nursing homes.

Where maintenance is required, the Alupod allows this work to be carried out with little or no disruption whilst providing a safe environment for those who need it most.

Additional benefits include:

- Reduced maintenance costs
- Easy to assemble
- Easily moved from location to location
- Infection control risk assessment
- Standard Alupod accommodates a 6ft high ladder
- With the application of an extension piece, the Alupod can accommodate an 8ft high ladder.





**Alupod is an innovative
& adaptable hygienic dust
control unit**

www.alupod.ie

Kantoher Business Park. Raheenagh, Co. Limerick, Ireland
Tel: 069 85999 Fax: 069 85977 | Email: info@alupod.ie

www.alupod.ie